



BACH™ CEMENT HEAD

The BACH™ Cement Head^A is the latest innovation developed by Citadel Technology. Our head improves operational safety and reliability when launching cement plugs during pressure pumping operations.

Features:

- Includes the SPEED LOK™ connection, a quick connect adapter that eliminates threading or hammering when connecting to any API or premium connection
- Integral manifold vastly simplifies rig-up of circulating iron on the rig floor by eliminating all but one threaded connection.
- Standard two plug configuration. Additional plug capacity available upon request
- Launches cement plugs on the fly without the need to stop pumping operations
- Single lift point increases safety with handling and installation by eliminating the need for a leveling chain and bar.
- Releasing plunger rods do not extrude when launching cement plugs
- Mechanical indicator that the plug has exited the head.
- Non welded assembly allows for improved maintenance to be performed to ensure extend the service life of the head

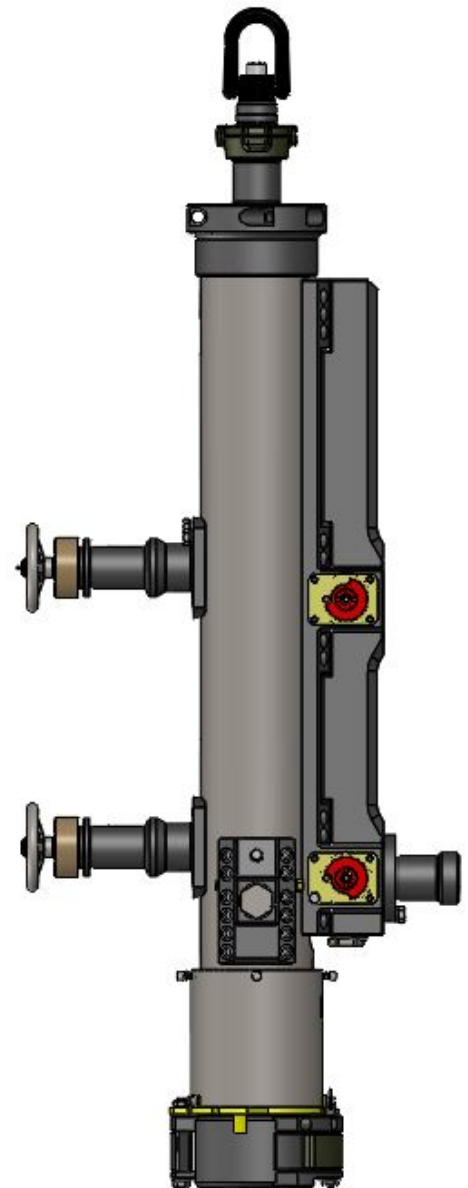


Figure 1 - Two plug BACH Cement Head with Speed Lok™ and manifold.

For more information, contact us at: info@casingequipment.com or sales@casingequipment.com



Table 1 shows the basic, dimensional information of a conventional BACH Cement Head^A. As required, custom chamber lengths are available for extended length plugs common to tapered and production strings with restricted ID sleeves.

Table 1 – BACH Cement Head Dimensions of Interest					
Casing OD (in.)	MAWP ¹ (psi)	A (in.) Head ID	B (in.) Min ID	C ² (in.) Top Plug LG	D ² (in.) BTM Plug LG
4 1/2	10,000	4.6	4.0	15.1	10.1
5 1/2		5.6	5.0	15.2	10.1
6		6.2	5.6	23.0	17.0
7		7.0	6.4	16.5	10.7
7 5/8		7.8	7.0	16.2	10.7
8 5/8		8.8	8.0	16.6	11.8
9 5/8	7,500	9.8	9.0	16.6	11.8
10 3/4		10.9	10.1	17.0	12.5
11 3/4	5,000	11.8	11.1	17.0	12.5
13 3/8		13.4	12.7	18.0	15.0
16	2,500	16.0	15.3	22.0	20.0
18 5/8, 20		20.0	19.4	32.0	26.0

- MAWP is the maximum allowable working pressure to be applied to the BACH during pumping operations. Each BACH is pressure tested to a MATP that is 1.5 x MAWP.
- Allowable plug length can be customized to accept extended length plugs common to tapered string and production strings that incorporate restricted ID sleeves.

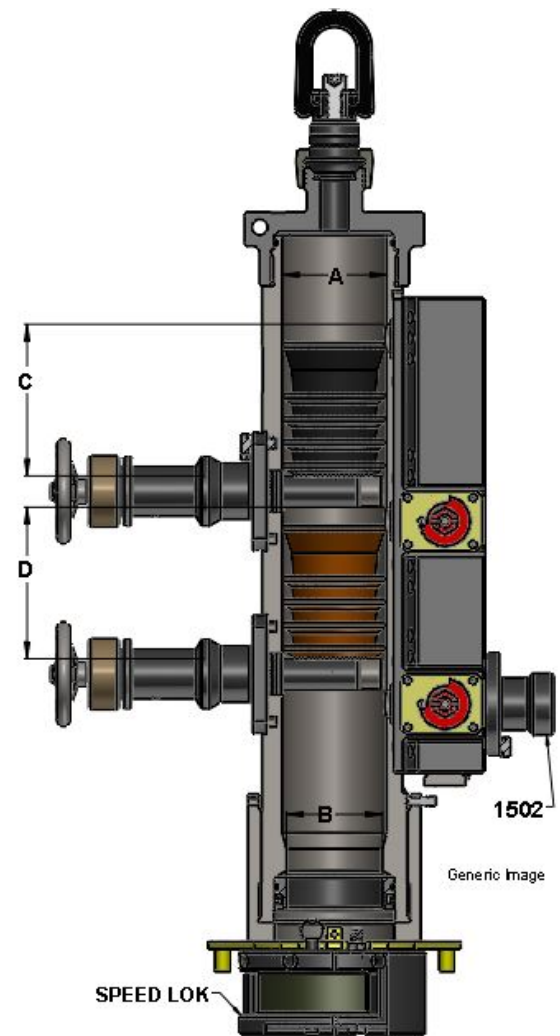


Figure 2 - This BACH cross section does not show the plug launch indicator for clarity.

For more information, contact us at: info@casingequipment.com or sales@casingequipment.com